

LED Flood Light ARES Series

Technical

- Advanced technology to get high efficacy and less glare optic performance
- A variety of light distribution from ultra-small to large angle, fit for different applications
- TCLI>90 for HD broadcast
- Flicker free capture ultra slow-motion
- Excellent wind resistance design
- Initial illuminance compensation, more energy saving
- The input voltage can be matched with 45V, 90V and 180V with different wiring modes
- Perfect event light control with a variety of intelligent control systems
- Super less weight with aviation aluminum
- Self-cleaning function with unique product structure design
- Power box removable for easy installation

Optical

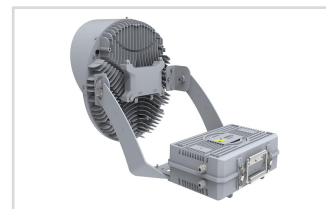
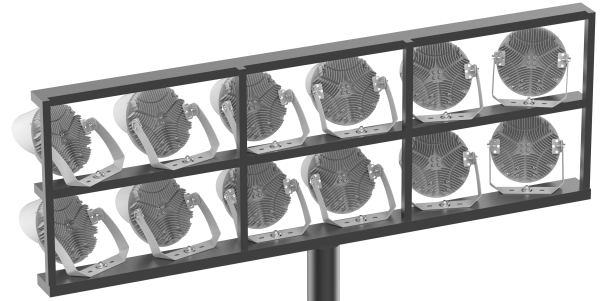
- TCLI>90, Broadcast Ready for >1000fps, HD | 4K | 8K, enable TV broadcasters to film super-slow-motion replays with a flicker factor <1%
- Engineered by adopt seamless link of advanced Free-form optics
- Optics designed with unique "multi scales lenses" to make uniform light distribution and glare-reducing.
- High transmittance PC cover, anti-UV, IK08 protective grade, prevent LED chips vulcanization and dust accumulation on the lens.
- Symmetrical light distribution enhancing uniformity of vertical and horizontal, meanwhile reducing light spill especially back pole light in residential area.

Control

- Scalable control solution, enables customisable, with real-time overrides and supports Art-Net, DMX RDM and DALI protocols.
- Support multi-Intelligent controls, WIFI, Zigbee.

Application

Football court | Soccer court | Tennis court | Basketball court | Badminton court | Golf court | Ski court | Large Area Industrial | Truck Stops | Toll Plazas | Airports | Ports



Integrated Driver Box



Remote Mounting Driver Box



ASP04-300 / ASP04-400 / ASP04-500 / ASP04-600



ASP04-750 / ASP04-1000 / ASP04-1200

CB



CE

IP66

3G Vibration

IK10

LM79

TM21

LED Flood Light

ARES Series

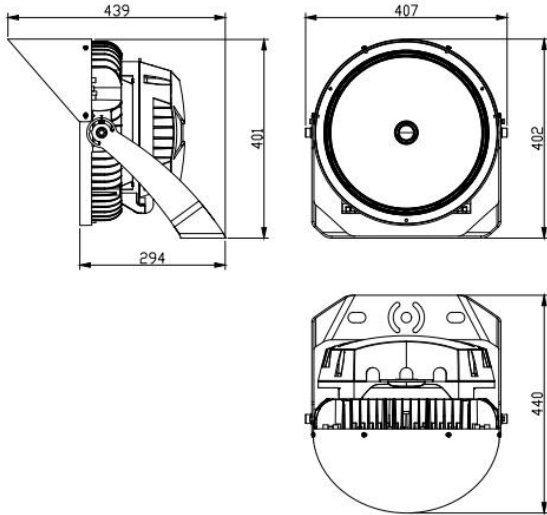
Specifications

Model Name	ASP04-300		ASP04-400		ASP04-500		ASP04-600		ASP04-750		ASP04-1000		ASP04-1200			
Power Consumption	300W		400W		500W		600W		750W		1000W		1200W			
Light Source	OSRAM / Lumileds															
CCT	5700K (5000K / 4000K available)															
Luminous Flux * (lm)	45,000	40,500	60,000	54,000	75,000	67,500	90,000	810,000	101,250	91,125	135,000	122,000	156,000	140,400		
Luminous Efficacy *(lm/W)	150	135	150	135	160	144	150	135	135	122	135	122	130	122		
CRI	70 Ra	80 Ra	70 Ra	80 Ra	70 Ra	80 Ra	70 Ra	80 Ra	70 Ra	80 Ra	70 Ra	80 Ra	70 Ra	80 Ra		
Light Distribution	12°~80° (design according project requirement)															
LED Drive	INVENTRONICS (can be equipped with customer's local power supply)															
Input Voltage	AC100-277V/ 200-480V															
Frequency	50 / 60 Hz															
Power Factor	≥0.9 at Max load															
FF	<2%															
Power Efficiency	0.93															
THD	<15%															
Surge Protection	Line – Line 20kV, Line – FG 20kV															
Control Method	0-10V / PWM / BLUETOOTH / DALI/ DMX															
EPA	0.137m ² / 1.478ft ²							0.218m ² / 2.353ft								
Size	Inch	D15.03 x 9.05(inch)							D18.97 x 13.82(inch)							
	mm	D382 x 230mm							D482 x 351mm							
Weight (Remote Mounting Driver Box)	Lamp	/							14.5kgs				14.5kgs			
	Driver Box	/							8.5kgs				11.1kgs			
Weight (Intergrated with Driver Box)	14.5kgs							/								
Material	Body	Die cast aluminum							cold forging aluminum							
	Optic	PC (Anti UV & Dust)														
	Cover (optional)	Tempered Glass 3.2mm (Clear), , Shatter Proof														
Finish	Powder Coating							electrophoresis								
IP Rating	IP66															
Operating Temperature	-22°F~122°F / -30°C ~ 50°C															
Warranty	7 Years															

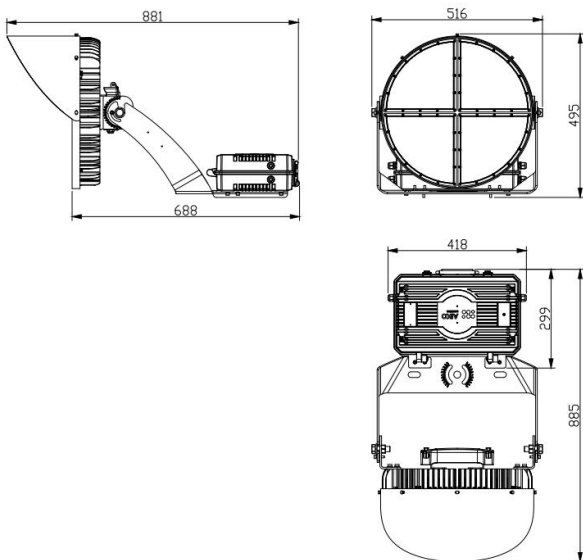
Dimensional Drawings

ARES LED Flood Light

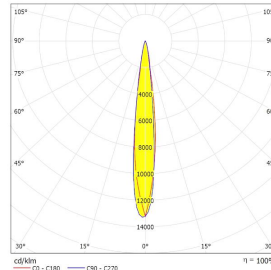
ASP04-300 / ASP04-400 / ASP04-500 / ASP04-600



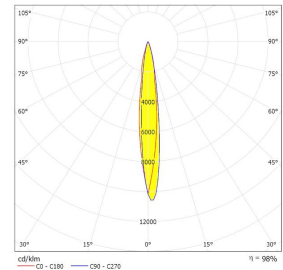
ASP04-750 / ASP04-1000 / ASP04-1200



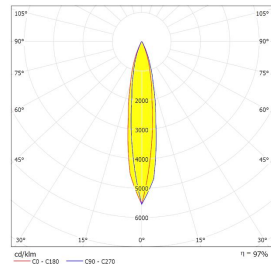
Photometric



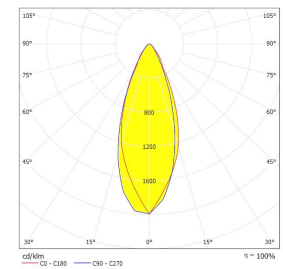
10°



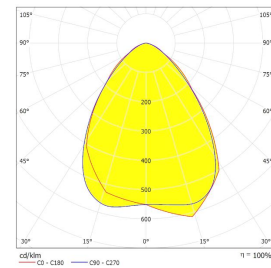
15°



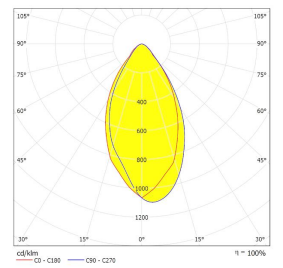
20°



40°



60°



80°

Installation Reference (Optional)

