

CHAMPION Floodlight 'G3 Series

Technical

- Minimising windage of front and side surface through combined frame and modules .
- Low total weight of complete system, same size with traditional 2000W Metal Halide/HPS.
- Easy to install and maintain, flexible mounting system especially the new IP66 driver box, absence of complex wiring between driver box and luminaire, also the modules.
- Minimising TCO by maximum and constant light output with effective thermal management extend product lifetime and minimize maintenance costs.
- LED uses standardized IES LM-80-08 and TM-21-11 methods for collecting long-term data and extrapolating LED lumen maintenance.
- Al1070 pure aluminum body, Seamless link of aerometal materials and numerous vents on heat sink improved heat management, keeps away from all field heat,ensures the stability of light system.
- Salt-spray-testing level 1000hours/2000hours/3000hours for your special projects requirements.
- Equipped with 10KV/20KV SPD, resist huge grid surge.

Optical

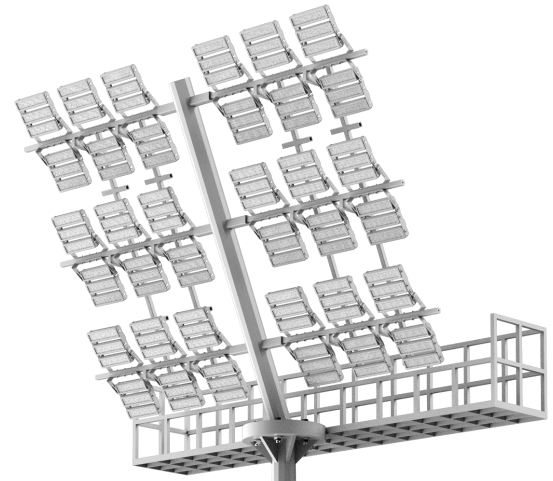
- TLCI>90, Broadcast Ready for >1000fps, HD | 4K | 8K, enable TV broadcasters to film super-slow-motion replays with a flicker factor <1%
- Engineered by adopt seamless link of advanced Free-form optics
- Optics designed with unique "multi scales lenses" to make uniform light distribution and glare-reducing.
- High transmittance PC cover, anti-UV, IK10 protective grade, prevent LED chips vulcanization and dust accumulation on the lens.
- Symmetrical and Asymmetrical light distribution enhancing uniformity of vertical and horizontal, meanwhile reducing light spill especially back pole light in residential area.

Control

- Scalable control solution, enables customisable, with real-time overrides and supports Art-Net, DMX RDM and DALI protocols.
- Support multi-Intelligent controls, WIFI,Zigbee.

Application

Indoor Stadium | Outdoor Stadium | Wharf | Apron Lighting | Large Area Illumination
| Tower Lighting | Sports Facility



AFL09G3-500 / AFL09G3-600



AFL09G3-750 / AFL09G3-1000 / AFL09G3-1200



AFL09G3-1500 / AFL09G3-1800



3G Vibration



* The content may be subject to change without notice Version II 2021.03

Specifications

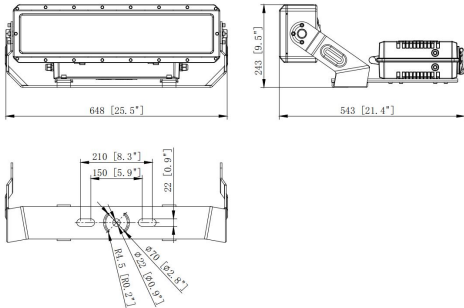
Model Name	AFL09G3-500	AFL09G3-600	AFL09G3-750	AFL09G3-1000	AFL09G3-1200	AFL09G3-1500	AFL09G3-1800
Power Consumption	500W	600W	750W	1000W	1200W	1500W	1800W
Light Source	OSRAM		OSRAM			OSRAM	
CCT	5700K (4000K/5000K/3000K/2200K optional)						
Luminous Flux (Lm)	70,000Lm	84,00Lm	112,500Lm	140,000Lm	168,000Lm	210,000Lm	252,000Lm
Luminous Efficacy(Lm/W)	140Lm/W	140Lm/W	150Lm/W	140Lm/W	140Lm/W	140Lm/W	140Lm/W
CRI	70 Ra	70 Ra	70 Ra	70 Ra	70 Ra	70 Ra	70 Ra
Lighting Distribution	12°, 15°, 50°, NB, MB, WB(hundreds of light distribution for differet level projects)						
LED Driver	Inventronics						
Input Voltage	AC100-277V/ 200-480V						
Frequency	50 / 60 Hz						
Power Factor	≥0.9 at Max load						
FF (Flicker Factor)	<1%						
Power Efficiency	>0.93						
THD	<15%						
Surge Protection	Line – Line 20kV, Line – FG 20kV						
Control Method	0-10V/ DALI/WIFI/DALI/Zigbee/DMX						
Size	Inch	25.5"x21.4"x9.5"		26.9"x17.2"x11.6"		27.3"x26.8"x22.4"	
	mm	648x543x243mm		647x547x370mm		647x711x570mm	
Frontal Surface (Front EPA)	0.14m ² (1.55ft ²)		0.3m ² (3.23ft ²)		0.38m ² (4.13ft ²)		
Side Surface (Side EPA)	0.08m ² (0.81ft ²)		0.09m ² (1.02ft ²)		0.15m ² (1.56ft ²)		
Weight (Remote mounting driver box)	Lamp	10.34kgs (22.79lbs)		18.08kgs (39.86lbs)		29.28kgs (64.56lbs)	
	Driver Box	8.51kgs (18.76lbs)		7.56kgs (16.67lbs)		7.8kgs (17.2lbs)	
Weight (Intergrated with driver box)	18.81kgs (41.55lbs)		25.64kgs (56.53lbs)		37.08Kg(81.75lbs)		
Housing Material	Finishing powder coated AL1070 pure aluminum for marine salt protection and swimming pool applications.						
Optic lens and cover	UV protected optical Lens (PC cover 3.0mm optional)						
Cut-off Shield (optional)	Finishing powder coated galvanized iron sheet Metal (Marine Specialty Painting if required)						
Mounting Bracket	Finishing powder coated galvanized iron sheet metal (Marine Specialty Painting if required)						
IP Rating	IP66						
Operating Temperature	-104°F~122°F / -40°C ~ 50°C						
Warranty	10 Years						

CHAMPION Stadium G3 Series

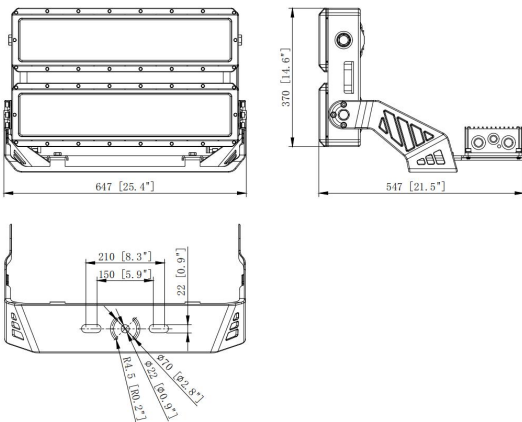
Dimensional Drawings

CHAMPION G3 LED Flood Light

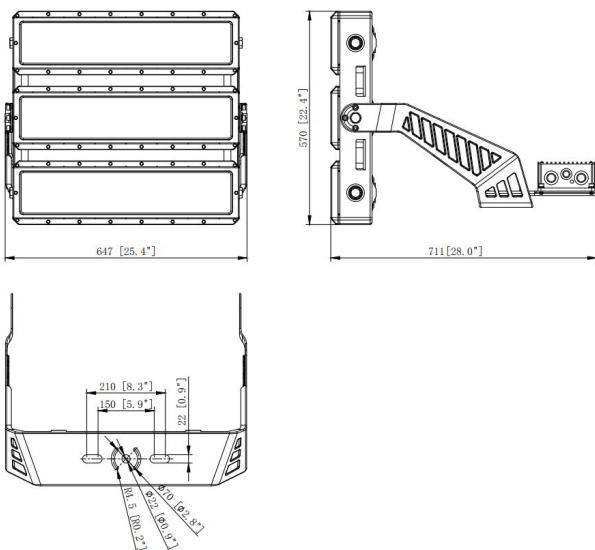
AFL09G3-500/AFL09G3-600



AFL09G3-750/AFL09G3-1000/AFL09G3-1200



AFL09G3-1500/AFL09G3-1800



Photometric

