



NOVILUM

iBEAM

M-LED High Mast Light



316 Steel bracket



≥0.95	70 Ra	IP66	IK08	10KV/20KV	≥25000 Hrs	AC 200-277V	47-63Hz
Power Factor	CRI	IP Level	IK Level	Surge Voltage	TM-21(L ₇₀)	Input Voltage	Power Frequency



M-LED High Mast Light



■ Matters needing attention

- Before installing the lighting fixtures, please read this instruction manual carefully.
- The lighting fixtures should be installed, connected and tested by a certified electrician based on the local regulations.
- Lamps should always be installed or replaced carefully.
- Please check the local voltage in accordance with the product requirements before installation.
- Revamping only can be done when the power is off and the lamp is completely cooled down.
- When clean the lamp, make the power off and let it cool down completely, clean the fixture with a soft cloth and a standard PH neutral detergent, stainless steel should be maintained regularly.
- Don't cover the fixtures with flammable materials.
- Replace should be made by the manufacturer or his service agent or certified electrician in order to avoid a hazard.

■ S/N Rules

S/N:ABCDEF

1 2 3 4 5

EX: M 60 300 60 1906
1 2 3 4 5

- 1 Model
- 2 PC Lens: 60=60°
- 3 Power:300=300W 1200=1120W 1800=1800W
- 4 Color Range:30=WW(3000K)40=NW(4000K)50=DW(5000K)
60=CW(6000K)
- 5 Date:19=2019 Year 06= April

■ Temperature Characteristics T-ambient 25°C

Temperature
Operating(230V):-40~+50°C
Storage:-40~+60°C

■ Electrical Characteristics

Input Voltage:AC200-277V 50/60Hz
PF>0.93
Power Efficiency≥0.90

M-LED High Mast Light



1.Features

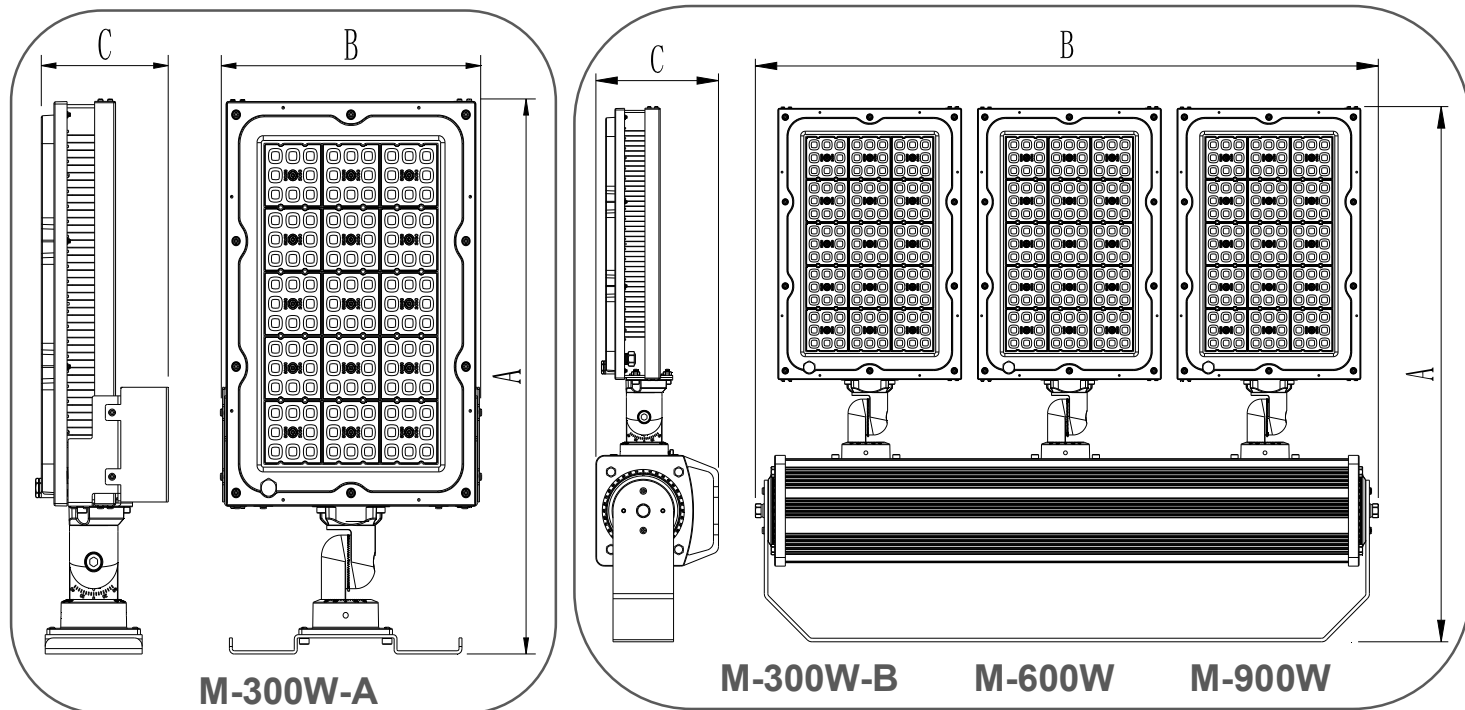
- High performance lighting ideal for sports fields and stadiums, each module can be adjustable with the marking scale to adjust the angle accurately, which help achieve the perfect uniformity illumination.
- Finned radiator, the main lightweight design, reducing the load bearing pressure of the pole.
- Standard with 316 stainless steel bracket, strong hardness, never corroded.
- All power and module wiring are fast male and female connectors for easy follow-up maintenance.
- Designed to fulfil the Future Proof concept. The photometric engine is IP 66 sealed to protect the LEDs and lenses from coming into contact with the outside environment and so maintain photometric performance over time.
- Each module angle can be rotated freely.
- 1060 Aluminum, thickness 0.5mm, the heat dissipation area is lager, and the heat dissipation effect is better, it's with Lighter weight, which is 1/3 of weight of die-casting, proximate matter and cold forging.
- Flexible optical system optimising lighting distributions for best in class results.
- The surge protection can reach 10KV/20KV.
- 100,000 times switching cycle before failure
- Total harmonic distortion (THD)<15%

2.Application

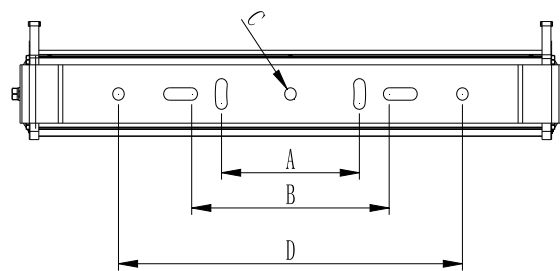
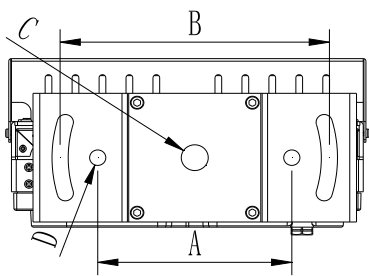
STADIUM INSTALLATION	SQUARE INSTALLATION	INDUSTRIAL INSTALLATION
National Stadium Outdoor Playground Indoor Stadium School Stadium Golf Course Football Field etc.	Logistics Port Cultural Square Pedestrian Street Square Training Ground Animal Husbandry Square etc.	Refinery Area Mine Square Gravel Mining etc.

M-LED High Mast Light

3.Product Dimension

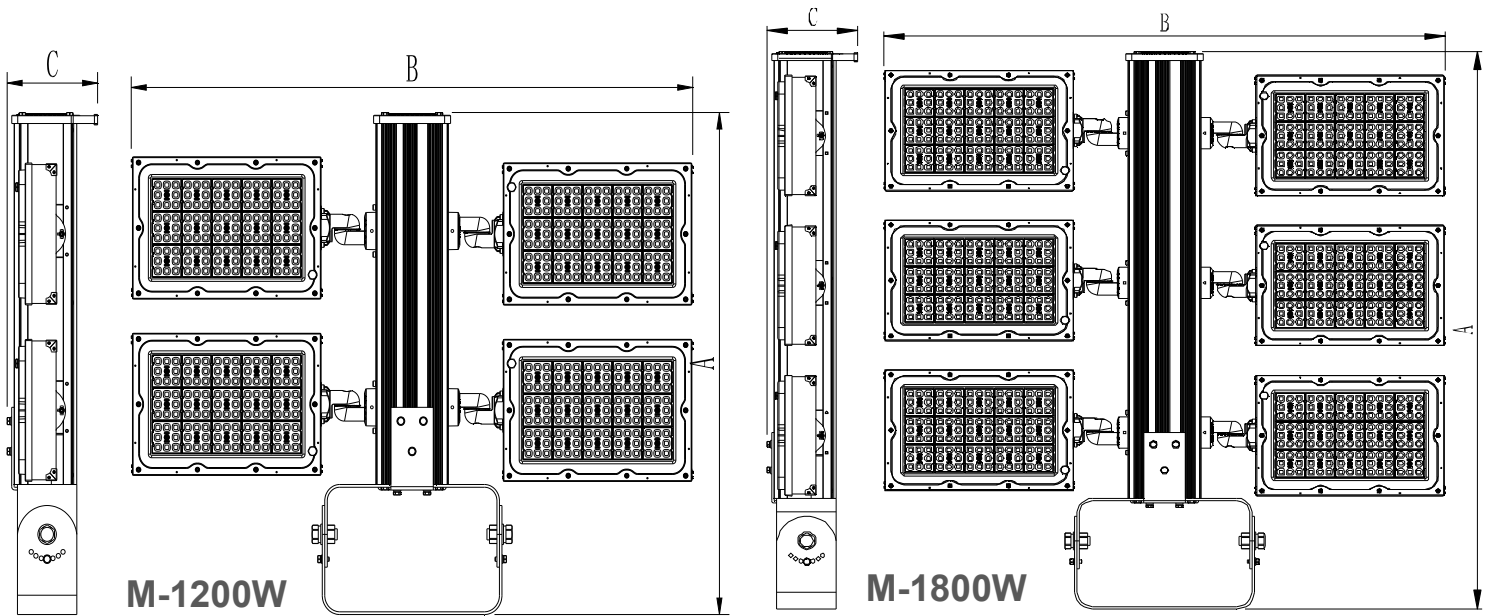


Model NO.	M-300W-A	M-300W-B	M-600W	M-900W
Size A(mm)	518	745	745	745
Size B(mm)	270	333	594	874
Size C(mm)	137	172	172	172
Module (Pcs)	1	1	2	3

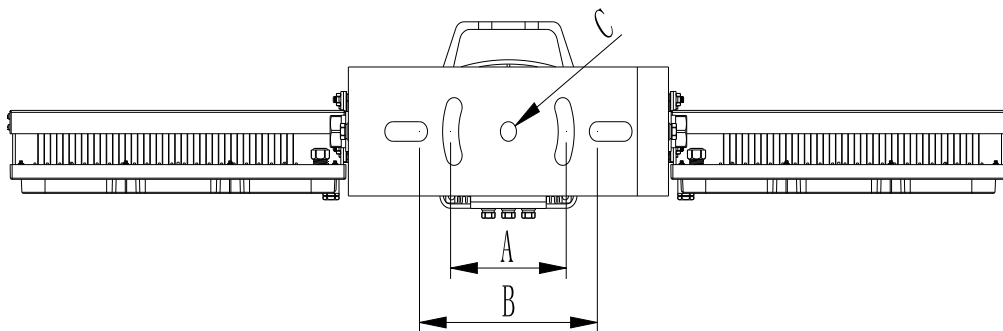


Model NO.	M-300W-A	M-300W-B	M-600W	M-900W
Size A(mm)	144	85-135	217	217
Size B(mm)	200	217	310-380	310-380
Size C(mm)	20	18	18	18
Size D(mm)	12	/	/	540

M-LED High Mast Light



Model NO.	M-1200W	M-1800W
Size A(mm)	911	1191
Size B(mm)	1126	1126
Size C(mm)	182	182
Module (Pcs)	4	6



Model NO.	M-1200W	M-1800W
Size A(mm)	130	130
Size B(mm)	200 -260	200-260
Size C(mm)	18	18

M-LED High Mast Light



4.Parameter

Model NO.	Power (W)	Light Source	LED QTY (pcs)	CCT (K)	Lumens lm/w	CRI	Beam Angle
M-240W-A	240	5050	120	5000K	160	>70	90
M-300W-A	300	5050	120	5000K	160	>70	90
M-240W-B	240	5050	120	5000K	160	>70	90
M-300W-B	300	5050	120	5000K	160	>70	90
M-480W	480	5050	240	5000K	160	>70	90
M-600W	600	5050	240	5000K	160	>70	90
M-720W	720	5050	360	5000K	160	>70	90
M-900W	900	5050	360	5000K	160	>70	90
M-960W	960	5050	480	5000K	160	>70	90
M-1200W	1200	5050	480	5000K	160	>70	90
M-1450W	1500	5050	720	5000K	160	>70	90
M-1800W	1800	5050	720	5000K	160	>70	90

CCT Range WW(3000K) NW(4000K) DW(5000K) CW(6500K)

Beam Angle:10/ 20/ 60/ 90 degree/ P50-P8/ P50/ Type-IV

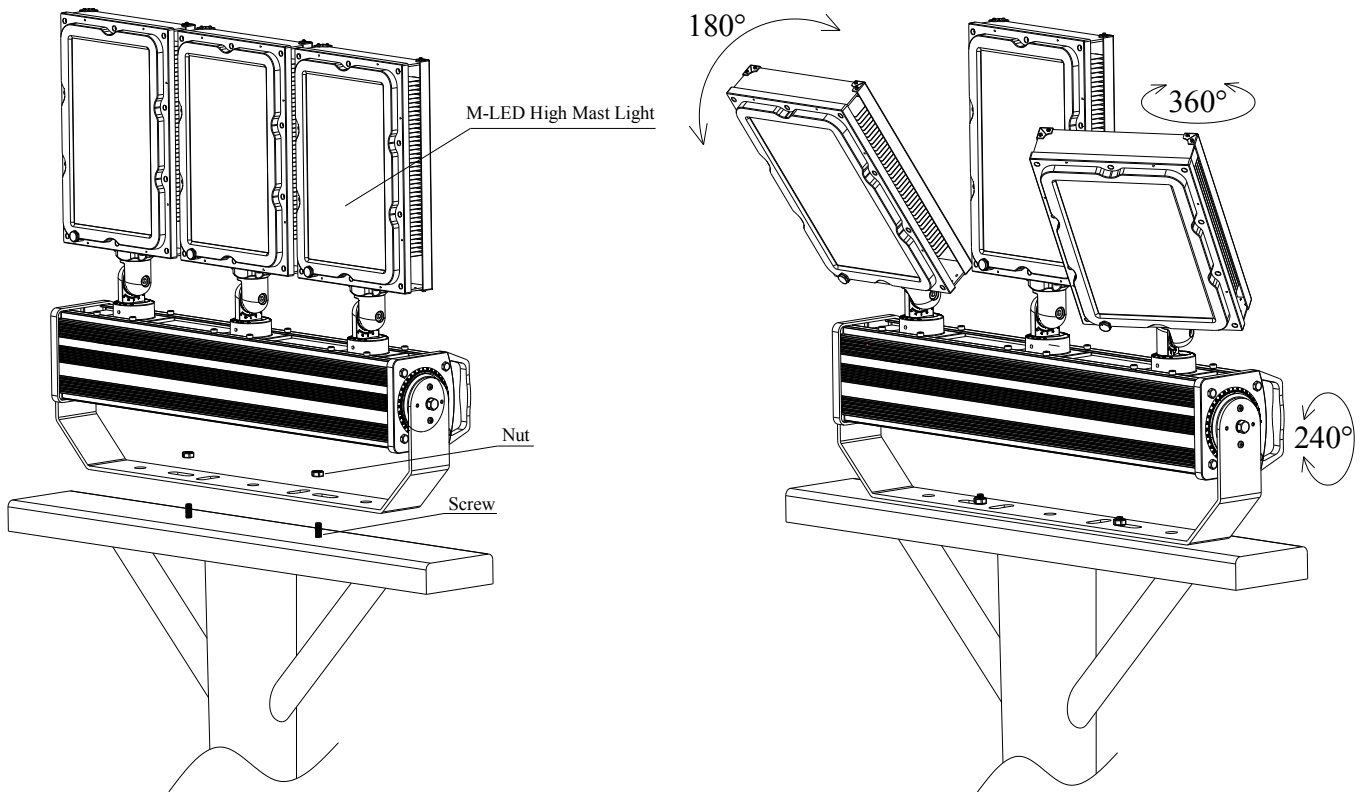
ErP Technical Specification

Item	Symbol	specification/Data
Color Index	CRI	Ra>70
Luminous Efficacy	Lm/W	150-160lm/w
Energy efficiency Class	/	A++
Color consistency in level	/	Max.6SDCM
THD	%	<15%
Starting Time	S	<0.5S
Switching cycle before failure	/	>100,000times
Premature failure rate@1000h	/	0
Lifespan	/	>50000Hrs

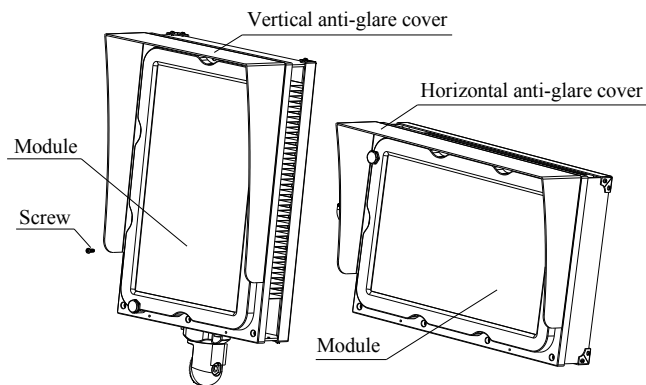
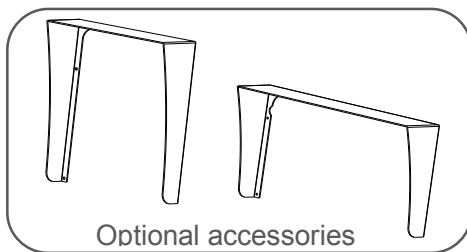
M-LED High Mast Light

5. Installation

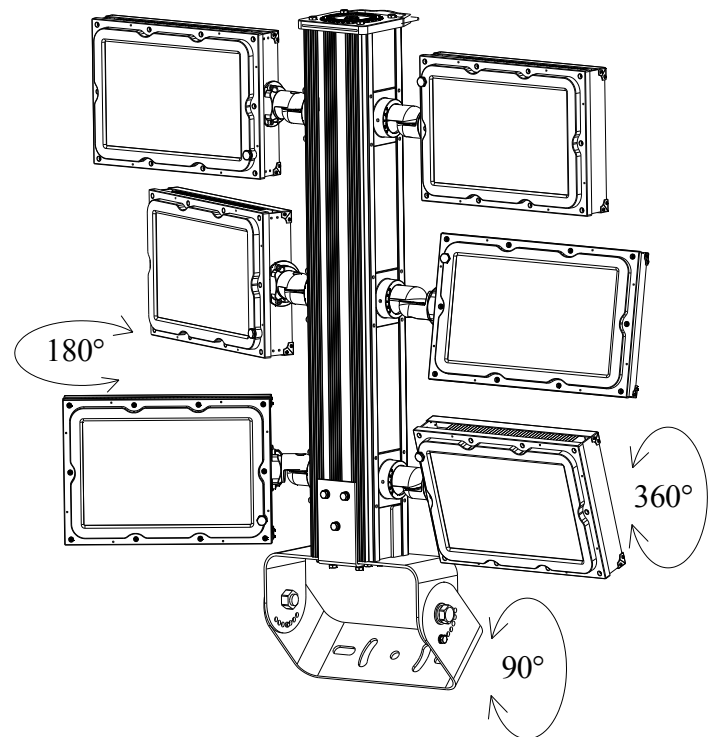
Installation Instructions



- A. Place the lamp in the corresponding mounting position, align the mounting hole, insert the screw.

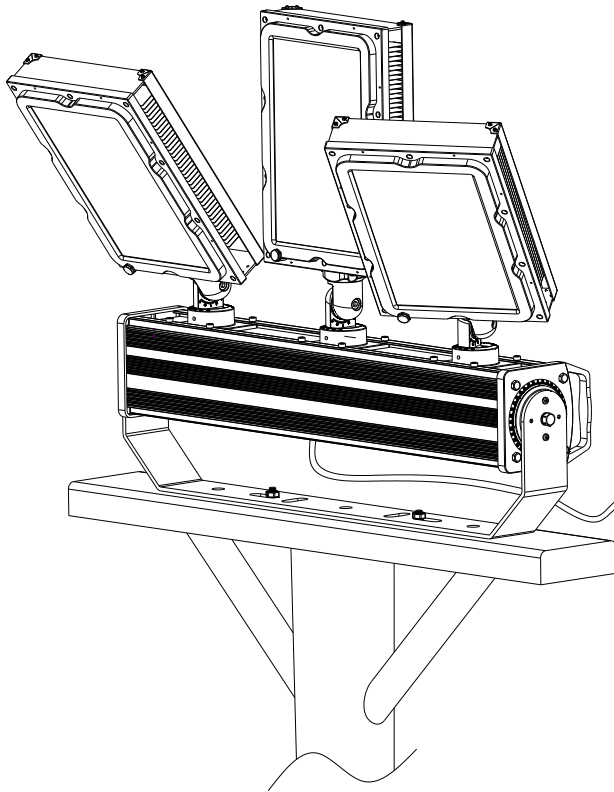


- *. Fix the anti-glare cover with screws and modules



- B. Tighten the screw with a wrench and adjust the lighting angle

M-LED High Mast Light



L-Brown
⊖-Green/Yellow
N-Blue

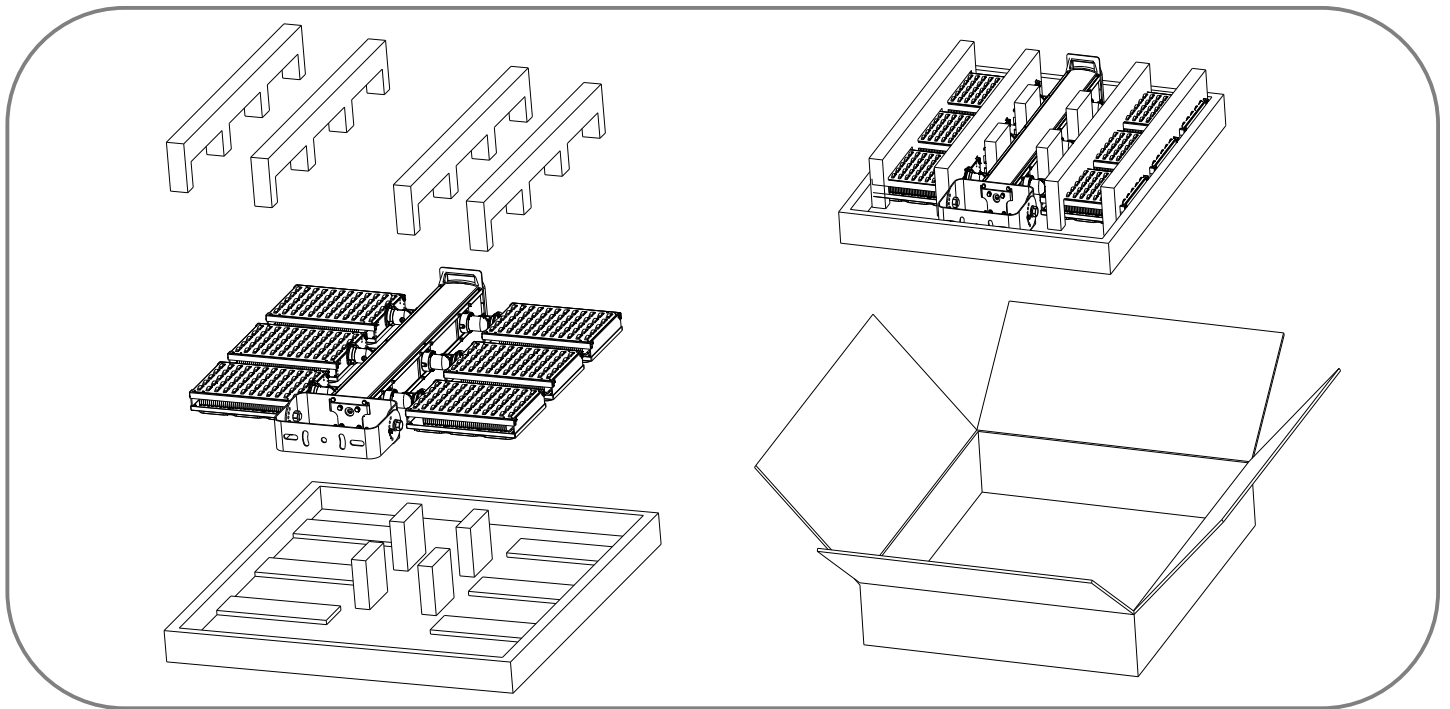
Warning

Please make sure the power off before operation

C. Connect input cord and keep waterproof.

D. When finish above A, B, and C, pls turn on for test, according to the lighting needs, adjust the lighting angle and tighten the screws to ensure the safety at high altitude.

6.Packging



M-LED High Mast Light



Packing Data

Model No	Single Box	Pcs/CTN	N.W./pcs (kg)	G.w./CTN (kg)	Meas (mm)
M-240/300W-A	1	1	6.6/7	7.9	460*240*141
M-240/300W-B	1	1	9.8/10	12.3	807*378*220
M-480/600W	1	1	17.3/17.8	21.3/21.8	826*649*227
M-720/900W	1	1	25.3/26	30.2/31	929*826*227
M-960/1200W	1	1	32.3/33.3	39.8/41.8	1222*976*224
M-1450/1800W	1	1	45.7/47	58.7/60	1262*1222*224

iBEAM



NOVILUM