

300W 400W 500W 600W LED Flood Light

190Lm/W



| | | | | | | | |
|--------------|----------|----------|----------|---------------|---------------|-----------------|--------------------|
| ≥ 0.95 | 70/80/90 | IP66 | IK08 | 4/10KV | >50000 Hrs | AC 100- 277V | 47-63Hz |
| Power Factor | CRI | IP Level | IK Level | Surge Voltage | TM-21(L70) | Input Voltage | Power Frequency |





■ Matters needing attention

- Before installing the lighting fixtures, please read this instruction manual carefully.
- The lighting fixtures should be installed, connected and tested by a certified electrician based on the local regulations.
- Lamps should always be installed or replaced carefully.
- Please check the local voltage in accordance with the product requirements before installation.
- Revamping only can be done when the power is off and the lamp is completely cooled down.
- When clean the lamp, make the power off and let it cool down completely, clean the fixture with a soft cloth and a standard PH neutral detergent, stainless steel should be maintained regularly.
- Don't cover the fixtures with flammable materials.
- Replace should be made by the manufacturer or his service agent or certified electrician in order to avoid a hazard.

■ S/N Rules

S/N:ABCDEF
 _ _ _ _ _
 1 2 3 4 5

EX: FL 90500 60 2006
 1 2 3 4 5

- 1 Model
- 2 PC Lens: 90=90°
- 3 Power:500=500W
- 4 Color Range:30=WW(3000K)40=NW(4000K)50=DW(5000K)
60=CW(6000K)
- 5 Date:20=2020 Year 06= June

■ Temperature Characteristics T-ambient 25°C

Temperature
 Operating -20~+45°C
 Storage -40~+60°C

■ Electrical Characteristics

Input Voltage:AC100-277V 50/60Hz
 PF:>0.95
 Power Efficiency: ≧ 0.90



1.Features

- IP66 waterproof/dust proof/explosion proof/IK08
- Pure Aluminum shape good at heat dissipation
- Angle Bracket,easy to install by drill
- Easy replacement and installation
- Philips SMD 3030/5050, Bridgelux Chip 3030 Ra>80/R9>0/SDCM<6
- 100,000 times switching cycle before failure
- Total harmonic distortion(THD)<15%
- Life Span L80B10>50000hrs

2.Application

COMMERCIAL LIGHTING

Tunnel
Supermarkets
Large retailers
School
Billboard
Building
etc.

PUBLIC LIGHTING

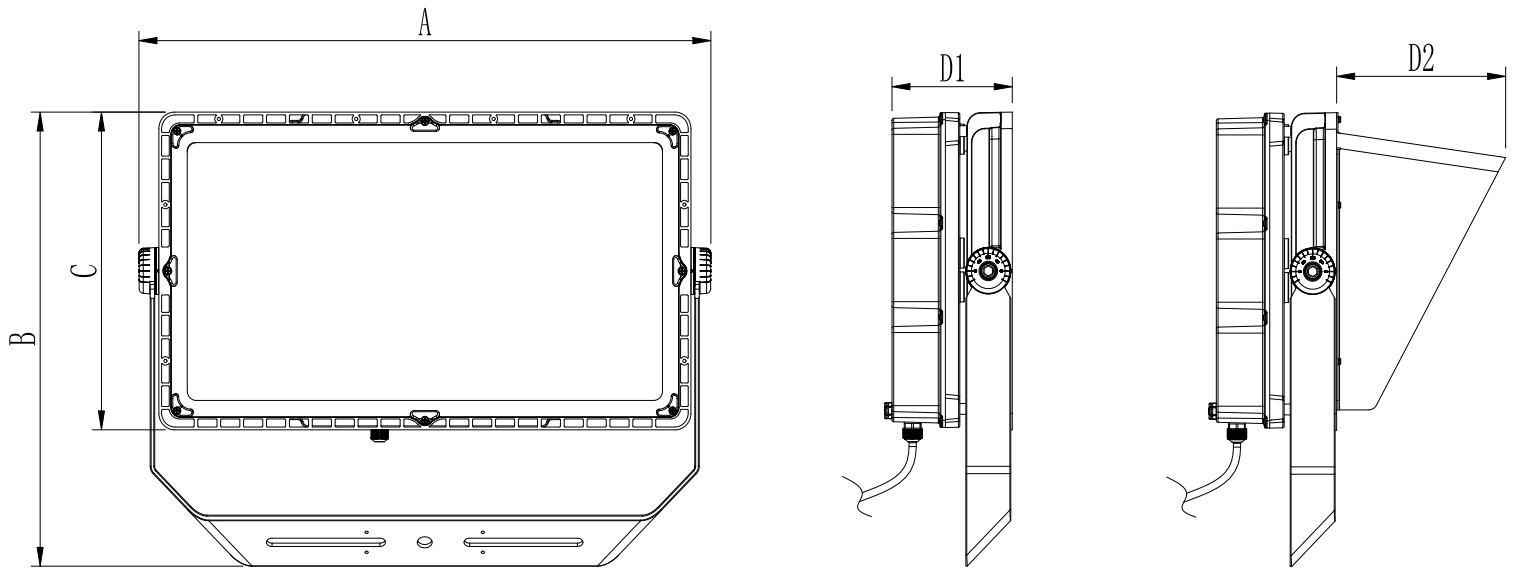
Tunnel
Airports
Stadium
Train stations
Bus stations
etc.

INDUSTRIAL LIGHTING

Manufacture
Warehouses
Parking lots
Exhibition centers
Gas stations
Toll stations
etc.

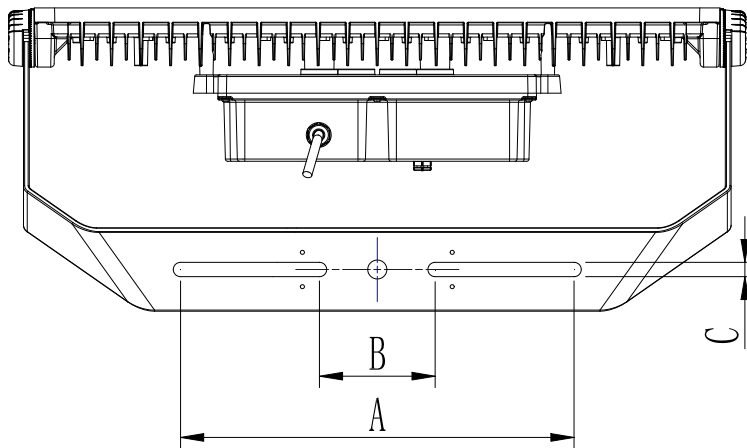


3.Product Dimension



| Model NO. | Size A(mm) | Size B(mm) | Size C(mm) | Size D1(mm) | Size D2(mm) |
|-----------|------------|------------|------------|-------------|-------------|
| 300W/400W | 530 | 377 | 290 | 128.5 | 156.5 |
| 500W/600W | 637 | 483 | 338 | 134 | 188 |

Mounting hole size



| Model NO. | Size A(mm) | Size B(mm) | Size C(mm) |
|-----------|------------|------------|------------|
| 300W/400W | 280 | 140 | 12.5 |
| 500W/600W | 340 | 100 | 12.5 |

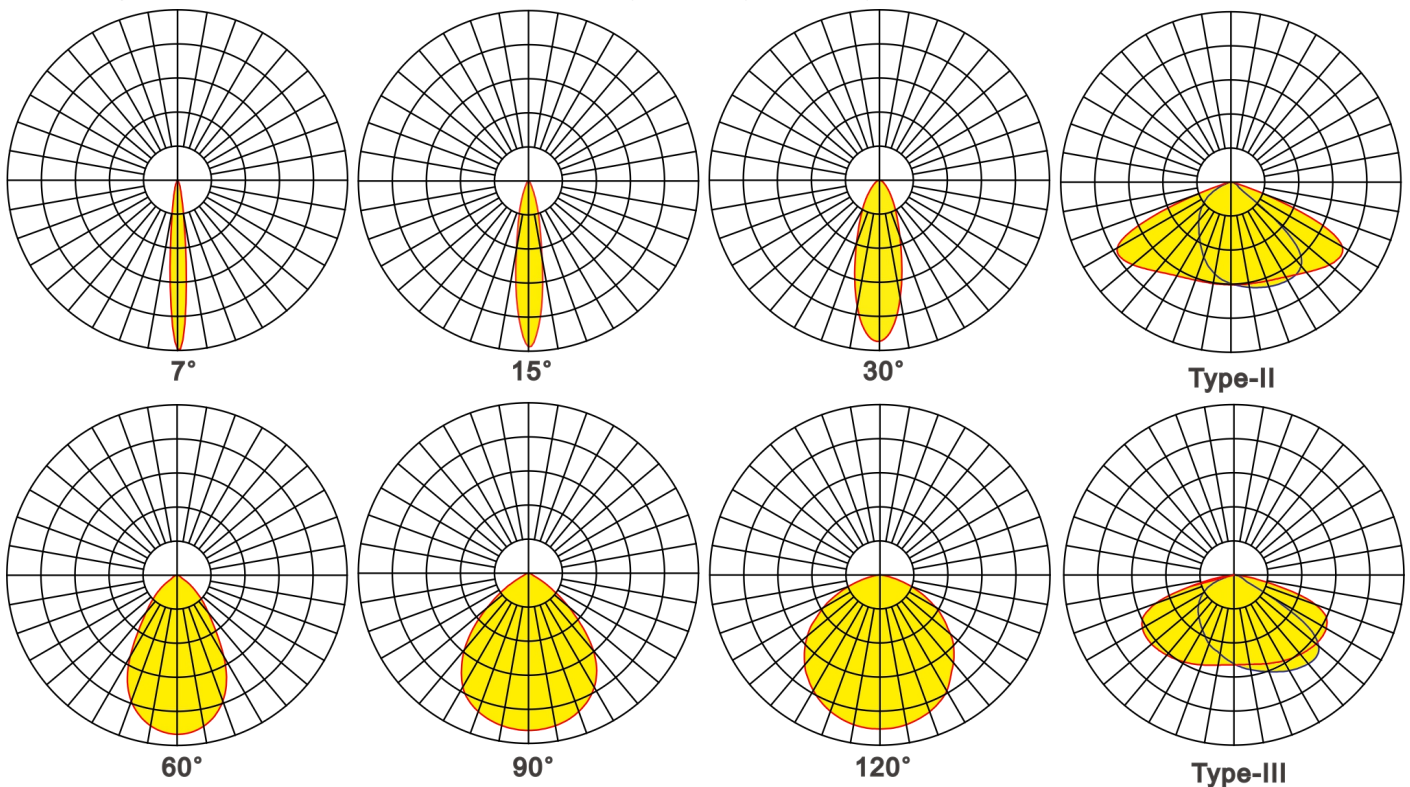


4.Parameter

| Model NO. | Power (W) | Light Source | LED QTY (pcs) | CCT (K) | Lumens lm/w | CRI | Beam Angle |
|-----------|-----------|--------------|---------------|---------|-------------|-----|-----------------------------|
| 300W/400W | 300/400 | 3535 | 128 | 4000K | 100 | >70 | 7° |
| 300W/400W | 300/400 | 3030 | 384/512 | 4000K | 140 | >70 | 15° |
| 300W/400W | 300/400 | 3030 | 768 | 4000K | 160 | >70 | 30°/60°90° 120°/T2/T3/T4 |
| 300W/400W | 300/400 | 3030/5050 | 768/256 | 4000K | 180 | >70 | 30°/60°90° 120°/T2/T3/T4 |
| 300W/400W | 300/400 | 3030 | 1024 | 4000K | 190 | >70 | 30°/60°90° 120°/T2/T3/T4 |
| 500W/600W | 500/600 | 3535 | 200 | 4000K | 100 | >70 | 7° |
| 500W/600W | 500/600 | 3030 | 600 | 4000K | 140 | >70 | 15° |
| 500W/600W | 500/600 | 3030 | 1200 | 4000K | 160 | >70 | 30°/60°90° 120°/T2/T3/T4 |
| 500W/600W | 500/600 | 3030/5050 | 1200/400 | 4000K | 180 | >70 | 30°/60°90° 120°/T2/T3/T4 |
| 500W/600W | 500/600 | 3030 | 1600 | 4000K | 190 | >70 | 30°/60°90° 120°/T2/T3/T4 |

CCT Range WW(3000K) NW(4000K) DW(5000K) CW(6500K)

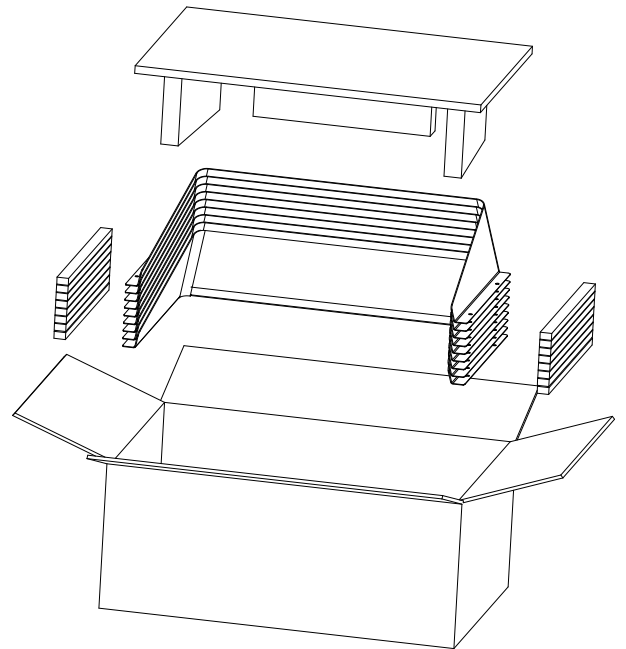
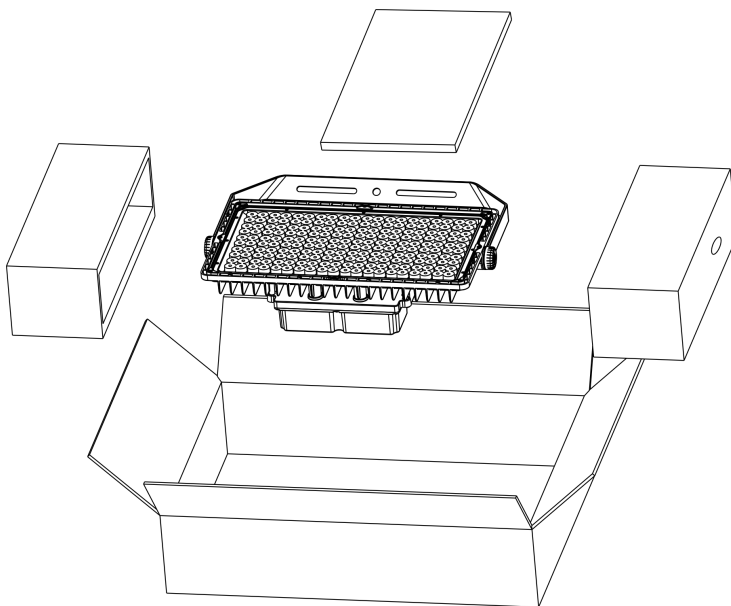
Beam Angle 7 °、15°、30°、60°、90°、120°、Type-II、Type-III、Type-IV





| Item | Symbol | specification/Data |
|--------------------------------|--------|--------------------|
| Color Index | CRI | Ra>70/80/90,R9>0 |
| Luminous Efficacy | Lm/W | 100-190lm/w |
| Energy efficiency Class | / | A++ |
| Color consistency in level | / | Max.6SDCM |
| THD | % | <15% |
| Starting Time | S | <0.5S |
| Switching cycle before failure | / | >100,000times |
| Premature failure rate@1000h | / | 0 |
| Lifespan | / | >50000Hrs |

5.Packging





Packing Data

| Model No | Single Box | Pcs/CTN | N.W./pcs (kg) | G.w./CTN (kg) | Meas (mm) |
|----------|------------|---------|---------------|---------------|-------------|
| 300W | 1 | 1 | 10.0 | 11.5 | 558*432*172 |
| 400W | 1 | 1 | 10.5 | 12.0 | 558*432*172 |
| Cover | 1 | 10 | 0.6 | 8 | 507*285*345 |
| 500W | 1 | 1 | 14.5 | 16 | 672*534*188 |
| 600W | 1 | 1 | 15 | 16.5 | 672*534*188 |
| Cover | 1 | 10 | 0.8 | 10 | 615*336*380 |

6.Attention

This specification is for reference only,we reserve the right to change without notice.If you need the updated info,please contact local distributors or visit our website at <http://www.sl-light.com>